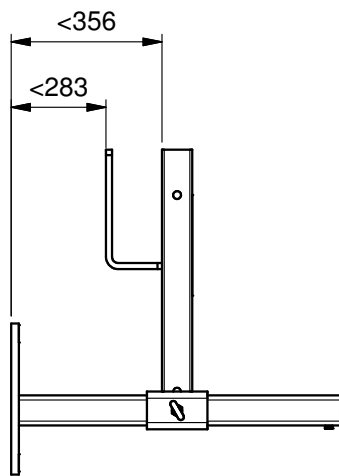
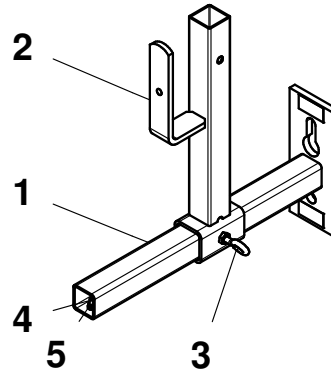


SMB SYSTEM S

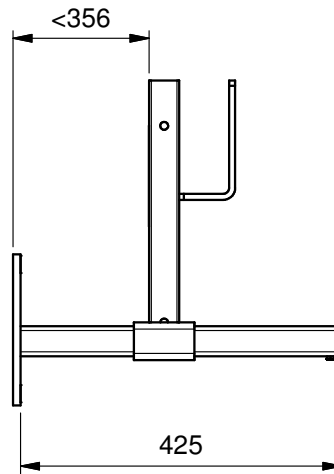
4,3 kg

EN 13374-A

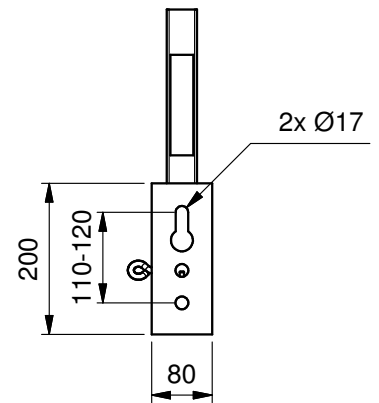
Item	Part number
1	10056
2	10055
3	100244, M8 x 20
4	100569, ISO 4017 - M6 x 18
5	100061, ISO 7040 - M6



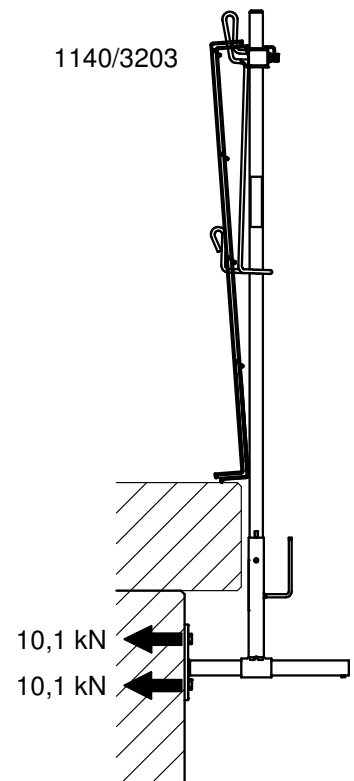
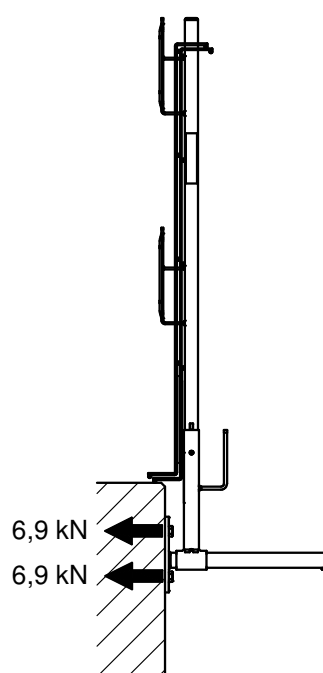
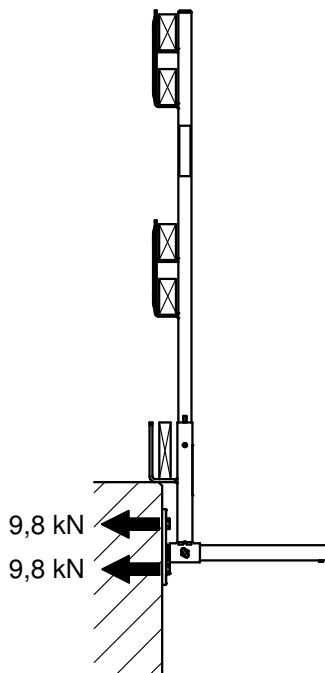
1102/Wooden rails



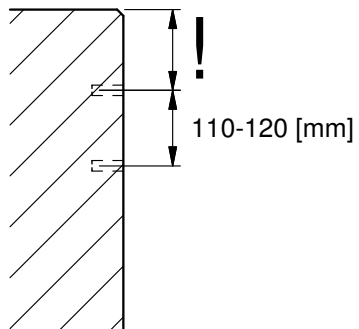
1102/3203



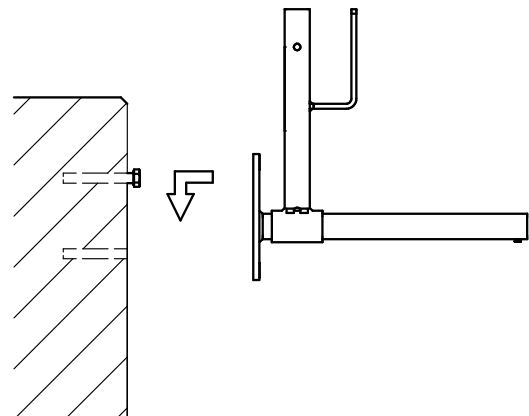
1140/3203



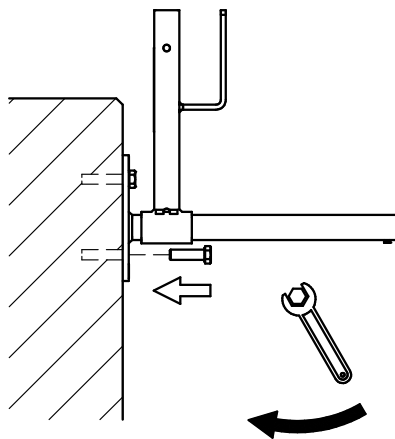
1.



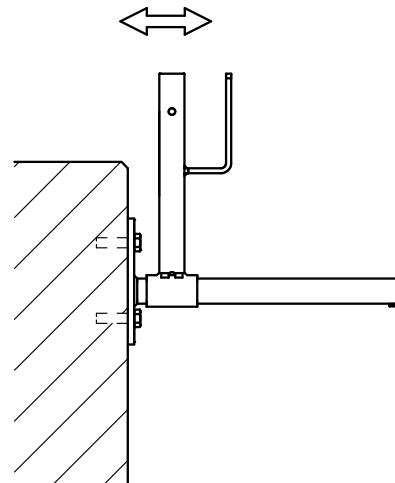
2.



3.



4.



5.

