

Unique, ultra-light & rapidly deployable gantry that provides a versatile lifting solution for goods and personnel.



250 - 1000KG  
WLL



1-2  
Persons



33 - 45KG  
Compact Storage



EN795

(S) = Small (M) = Medium (T) = Tall (see table)

The **PORTA-GANTRY RAPIDE** adds exciting new dimensions to the **PORTA-GANTRY** family. A patented gantry that can be assembled in under 60 seconds for both goods and personnel lifting (man-ride) applications.

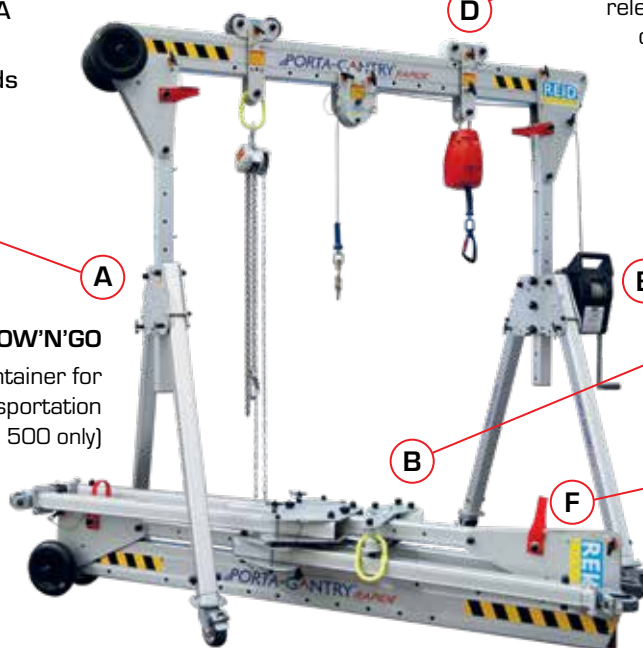
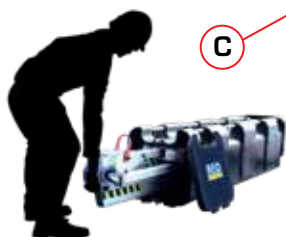
### QUICK RELEASE PINS

Quick assembly with ball lock pins, no bolts or tools required



### STOW'N'GO

A handy storage container for safe shipping and transportation (PGR 500 only)



### LOADTROLLEY

Innovative quick release gated trolley or sheave carrier fitted in seconds



ASSEMBLY VIDEO

### RAPID ATTACHMENTS

Winching and fall arrest accessories can be easily added without the need for tools



### COMPACT

Frames easily fold onto beam, forming compact stowable unit. Easily fits into a typical service van

### TRANSPORTABILITY

Easily transported by 1 person with integrated wheel and carry-handle or carried by 2 persons



## PORTA-GANTRY RAPIDE 250-1000 Information:

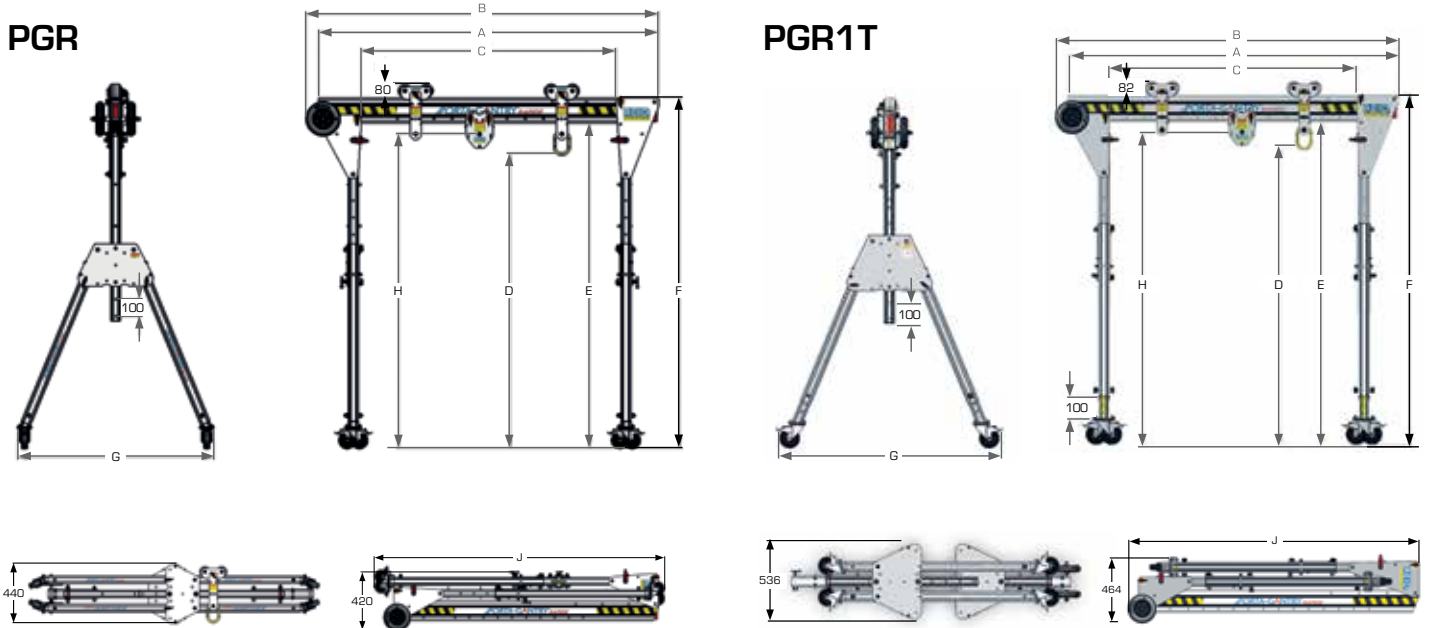
- **GOODS WLL** Up to 1000kg
- **PERSONNEL WLL** Up to 500kg positioning depending on model, 150kg fall arrest
- **HEIGHT ADJUSTMENT** Range 500 to 900mm (see table)
- **3 PERSON FALL ARREST** In conformity with PD CEN/ TS16415:2013 (see table)
- **1 PERSON FALL ARREST** EN795:2012 certified - as part of an EN363 compliant system and in conformity with ANSI Z359.18-17\* and AS/NZS 5532:2013
- **ROPE ACCESS** Conforms to IRATA International Code of Practice for industrial rope access
- **ATEX** All models suitable for use in ATEX Zone 2 explosive atmospheres. ATEX Zone 1 is available as an upgrade PGR 500 only
- **LIGHTWEIGHT & PORTABLE** Within manual handling guidelines, weighing from only 33kg for PGR500 and 45kg for PGR1000
- **CONFIGURATIONS** Range of beam lengths up to 4m and configurations available
- **GATED TROLLEY** Mounted in seconds, now with reduced head height
- **FOOTINGS** Height adjustable legs - 2 x 50mm adjustment on each leg with castors or levelling foot options
- **BEAM HOLES** Sheave carrier and Trolley lock off holes across the full length of the beam

\* ANSI Z359.18-17 applies to 2m and 2.3m beams on PGR500 and full range of PGR1000

Patented & registered designs.



**PORTA-GANTRY RAPIDE Dimensions (mm)**



	Dimensions (mm)														WLL			Unit Weight			
	A Beam Length	B	C <sub>Min</sub>	C <sub>Max</sub>	D <sub>Min</sub>	D <sub>Max</sub>	E <sub>Min</sub>	E <sub>Max</sub>	F <sub>Min</sub>	F <sub>Max</sub>	G	H <sub>Min</sub>	H <sub>Max</sub>	J	Goods Capacity (kg)	Fall Arrest Capacity** No of Person(s)	Personnel Positioning** (kg)	(kg)			
PGRS20	2000	2076	1100	1500										2080	500	3	250	33			
PGRS23	2300	2376	1200	1800	1450	2050	1626	2226	1776	2376	1158	1572	2172	2380	400	2	200	35			
PGRS40	4000	4076	2700	3500										4080	250	1	125	40			
PGRM20	2000	2076	1100	1500										2080	400	2	200	35			
PGRM23	2300	2376	1200	1800	1454	2154	1630	2330	1780	2480	1215	1567	2267	2380							36
PGRM40	4000	4076	2700	3500										4080				41			
PGRT20	2000	2076	1100	1500										2645	250	1	125	39			
PGRT23	2300	2376	1200	1800	1928	2928	2104	3104	2254	3254	1586	2040	3040	2380							40
PGRT40	4000	4076	2700	3500										4080							45
PGR1TS20	2000	2077	1102	1502										2077	1000	3	500	45			
PGR1TS30	3000	3077	1902	2502	1430	1930	1661	2161	1822	2322	1270	1549	2049	3077	1000	3	500	53			
PGR1TS40	4000	4077	1902	3502										4077	1000	3	500	58			
PGR1TM20	2000	2077	1102	1502										2200	1000	3	500	49			
PGR1TM30	3000	3077	1902	2502	1740	2440	1900	2600	2061	2761	1484	1859	2559	3077	1000	3	500	54			
PGR1TM40	4000	4077	1902	3502										4077	1000	3	500	59			
PGR1TT20*	2000	2077	598	1050										2830	1000	3	500	53			
PGR1TT30*	3000	3077	1417	2017	1980	2880	2140	3040	2301	3201	1698	2099	2999	3077	1000	3	500	58			
PGR1TT40*	4000	4077	2385	2985										4077	1000	3	500	62			

\*Trolley stops fitted to beam

\*\* Ratings using European standards. Contact REID for other standards.