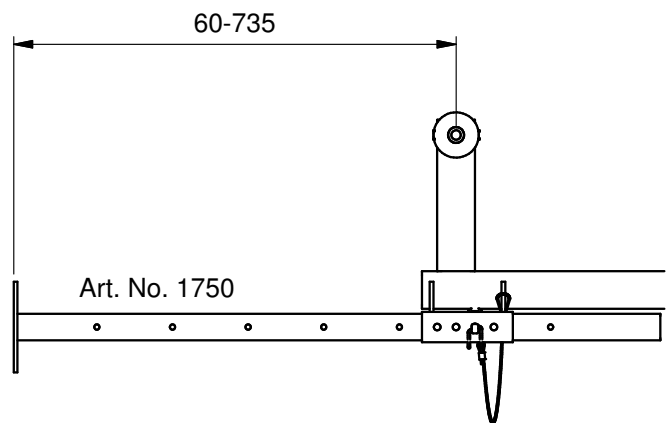
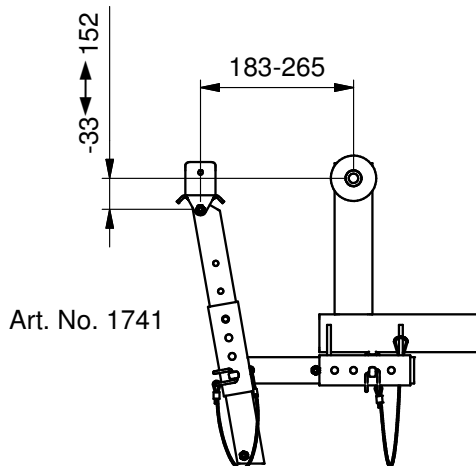
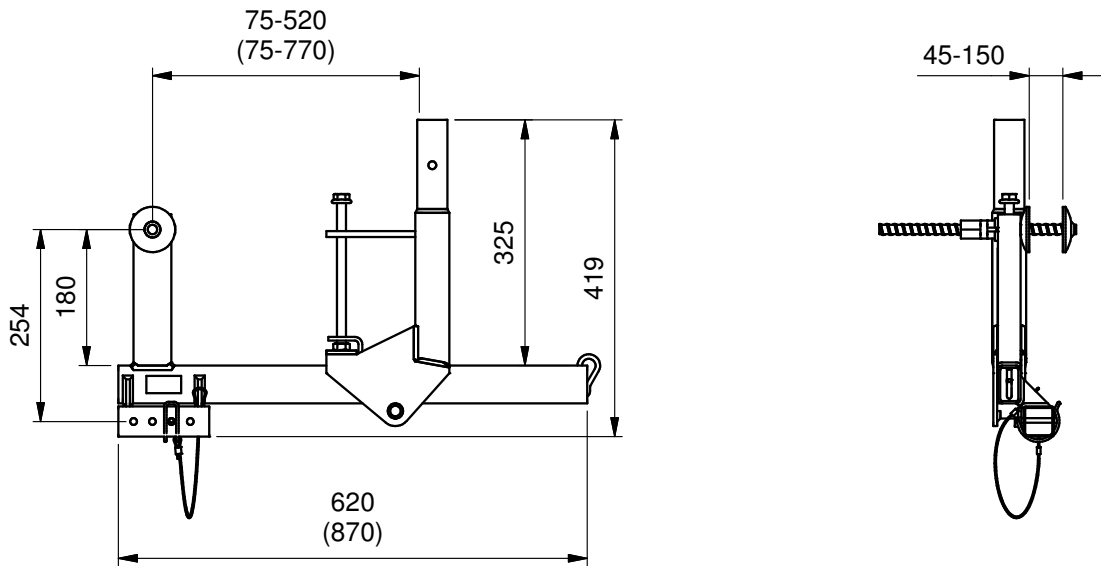
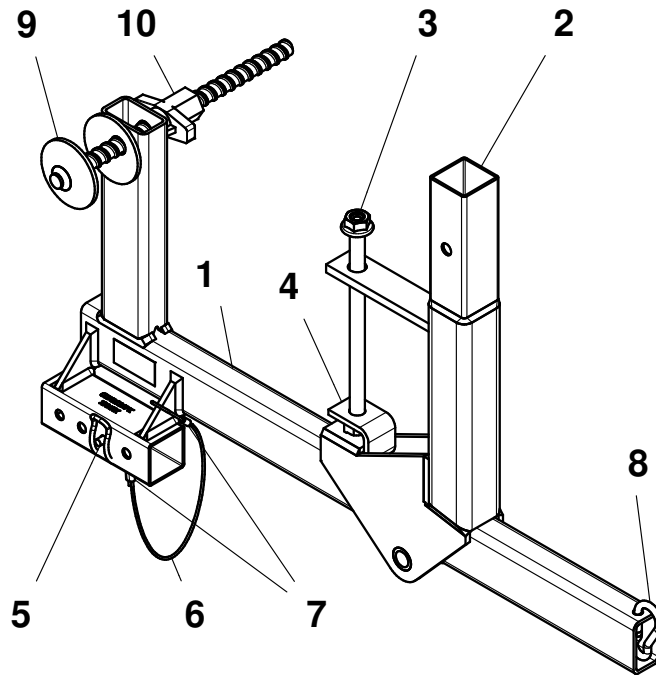


SMB SYSTEM S

6,5 (7,4) [kg]
EN 13374 A-B-C

Item	Part number
1	10401 (10508)
2	11152
3	11160
4	11159
2+3+4	11151
5	100165
6	100117
7	100118
8	100029
1+2+3+4+5+6+7+8	11364 (11365)
9	10428
10	100155
9+10	10577



TI 1704(1705)

COMBISAFE®

© Combisafe International AB

